

Sensitive & Flexible Touch Monitor

High resolution POS touch monitor series could be integrated with other POS devices and any customized POS solutions.

TM 70 Series / WTM 60 Series



TM 70 Series

Integrated with VFD



WTM 60 Series

Support VESA Mounting



TM 70 Series

Wide Rang Tilt
20° ~90°



WTM 60 Series

Cost-effective
POS Solution

Specifications

Model Name	TM 712	TM 715	
Display	TFT LCD Size	12.1"	15"
	Brightness	200 nits	350 nits
	Resolution	800 x 600	1024 x 768
	Touch Screen	7-wire Resistive Type	
I/O Ports	Serial	2 x RS-232 DB-9	
	Audio	AC'97 2.0 Compliant, 2W Speaker x 2	
	VGA	1 x DB-15	
	Power Input	External adapter, 50W, 12VDC input	
Others	Color	Black	
	Compliance	FCC / CE / WEEE / RoHS	
	Weight	5 kgs	6 kgs
	Dimension WxHxD (mm)	313x318x274	370x355x277
	Operating Temperature	5 °C ~ 35 °C	
	Storage Temperature	-20° C~60° C	
	Humidity	20% - 85% RH, non-condensing	

Specifications

Model Name	WTM 608	WTM 612	WTM 615	
Display	TFT LCD Size	8.4"	12.1"	15"
	Brightness	220 nits	200 nits	350 nits
	Resolution	800 x 600	800 x 600	1024 x 768
	Touch Screen	5-wire Resistive Type		
I/O Ports	Wall Mount	Support VESA Mount		
	Serial	Combined LVDS+RS-232+LED+Power		
	Audio	AC'97 2.0 Compliant, 2W Speaker x 2		
	Color	Black		
Others	Compliance	FCC / CE / WEEE / RoHS		
	Weight	1.4 kgs	2.8 kgs	4 kgs
	Dimension WxHxD (mm)	234x185x42	313x256x46.5	370x310x50.5
	Operating Temperature	5 °C ~ 35 °C		
	Storage Temperature	-20° C~60° C		
	Humidity	20% - 85% RH, non-condensing		

Ordering information

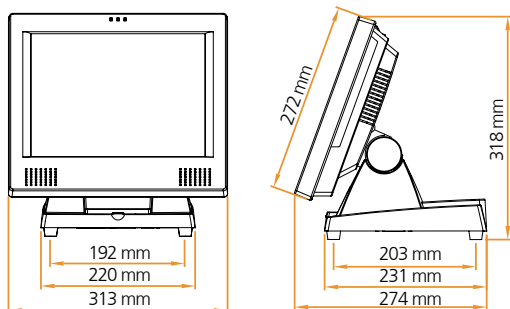
Main Unit

Part No.	Description
TM70-2EB-VR	TM 712 w/ 12.1" VGA Touch Panel, RS-232, Audio
TM70-5EB-VR	TM 715 w/ 15" VGA Touch Panel, RS-232, Audio

Optional Accessories

Part No.	Description
60100005	Customer display: VFD pole with US adaptor
60100007	Customer display: VFD pole with UK adaptor
60100009	Customer display: VFD pole with AU adaptor
60100013	Customer display: VFD pole with EU adaptor
A0400019	iButton PS/2 Type
A0400121	iButton & MSR: 2 Tracks PS/2 Type
A0400120	iButton & MSR: 3 Tracks PS/2 Type
A0400021	MSR: 2 Tracks PS/2 Type
A0400020	MSR: 3 Tracks PS/2 Type
A0400023	MSR: 2 Tracks RS-232 Type
A0400069	MSR: 3 Tracks RS-232 Type

TM 712



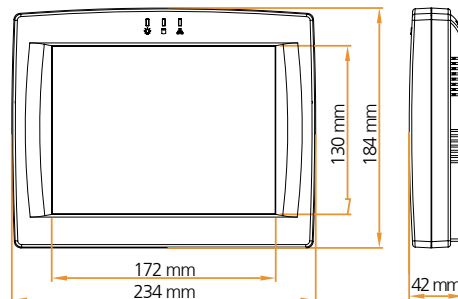
Ordering information

Main Unit

Part No.	Description
WTM60-8B-LR	WTM 608 w/ 8.4" LVDS Touch Panel, RS-232,Audio
WTM60-2B-LR	WTM 612 w/ 12.1" LVDS Touch Panel, RS-232,Audio
WTM60-5B-LR	WTM 615 w/ 15" LVDS Touch Panel, RS-232,Audio

Specifications are subject to change without notice. Issue Date: 2009/05

WTM 608



EBN

EBN Technology Corp.

EBN Technology Corp.

10F, No. 90, Sec. 1, Sintai 5th Rd., Sijhih City,
 Taipei County 221, Taiwan
TEL : +886-2-2696 9292
FAX : +886-2-2696 9393
E-mail : sales@ebn-pos.com
www.ebn-pos.com