

Powerful All-in-one Touch POS Terminal

Durable, heavy-duty and all-in-one touch POS terminal with Intel® technology for universal applications and long-term operation.

SolidPOS 70 Series



FEATURES

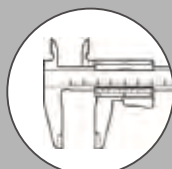
- Easy access to motherboard and HDD reduces total cost of ownership as terminals can be repaired and returned to service quickly
- Intel® Pentium® IV processor delivers high and stable performance for daily operation
- Powered USB and receipt printer ports eliminate the need for external power supplies for POS peripherals
- Dual Independent displays enhance customer experience through full video display for rich commercial advertising
- Tilt and swivel angle adjustment allows the terminal to easily fit into any sized space and compact size with small footprint for flexible space management



Touch Panel



All-in-one



Ultra Compact



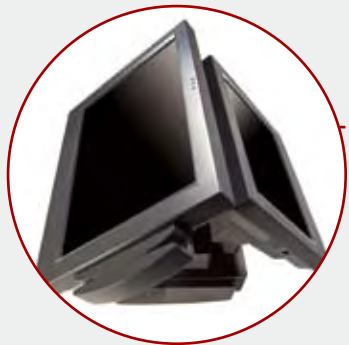
SolidPOS 70 Series Features

Smaller footprint but greater performance

All-in-one touch POS terminal for round clock business

EBN SolidPOS 70 series is a complete touch POS terminal, incorporate with Intel®Pentium® IV processor, delivers greater serviceability for daily operation. Apply for of the 7-wire resistive touch screen and 12" or 15" TFT LCD panel, SolidPOS 70 series delivers an excellent interactive interface to help cashier work smarter. Thanks for the fanless technology, SolidPOS 70 series provides stable and reliable performance which features usability improvement and minimize downtime in your application.

With the fast and warm service expectation, queue time is a key point to determinate customers purchasing experience and the reputation of this retail shop. In the space limited stores, it is always the key to increase the value on every selling floor. Thanks for the compact footprint, SolidPOS 70 series can be implemented in the service table for smarter space management.



Support independent dual display



MSR / iButton



Easily access HDD



Tool-free to access main board and easy maintenance



Empower your store and process value data efficiently

The SolidPOS 70 series also supports 12" or 15" second independent display with 2 x 2W speakers to provide a friendly commercial information to encourage next purchasing. With the 0°-90° tilt angle and -20°~20° swivel angle, it is easier to change the monitor followed the cashier position and avoids the harsh light reflection. EBN's SolidPOS 70 series supports WEPOS (Windows Embedded for Point of Service) / Win XP / Win 2000 operation system. By releasing only two screws, customer can operate the terminal and open the panel easily to do upgrade and maintenance work.



Flexible configurations help to increase business agility

Thanks to the high flexibility SolidPOS 70 series satisfied with all kinds of accessories as MSR, Wireless antenna, Smart Card Reader (chip & pin) or other peripherals such as barcode scanner, cash drawer, keyboard..... SolidPOS 70 series is ready available for any further integration. With the above benefits, SolidPOS 70 series helps to optimize the customer experience in many different applications such as: food service, hospitality industry, retail business or convenience store.....



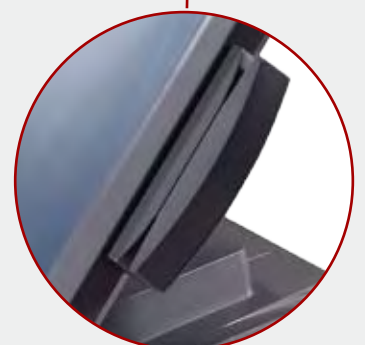
Support independent dual display



Tilt angle 0°~90°



Swivel angle -20°~20°



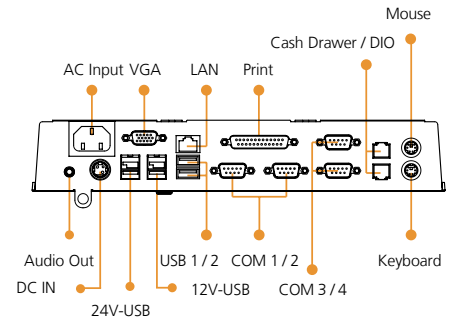
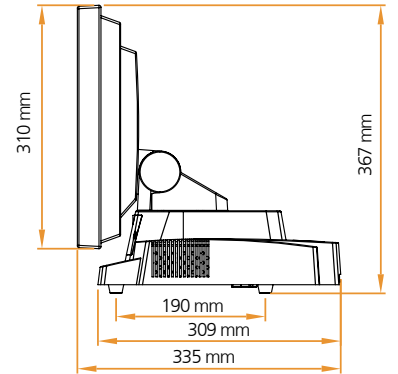
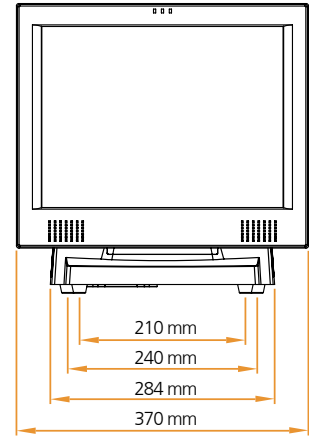
MSR

Specifications

Model Name	SolidPOS 712	SolidPOS 715
Main Board	370 : Supports Socket 370 Intel® Pentium® III /Celeron®, FSB upto 133MHz Recommend: Intel® Celeron® 1.2GHz or Intel® Pentium® III 1.2GHz	
	478 : Supports Socket 478 Intel® Pentium IV/Celeron®, FSB upto 400MHz Recommend: Intel® Mobile Celeron® 1.2 GHz or Intel® Celeron® 2.0 GHz or Intel® Pentium® IV 2.0 GHz	
	Core Logic Intel® Pentium® III : VIA CLE 266(VT8623+VT8235) Intel® Pentium® IV: Intel® 852GM+ICH4	
	System Memory DIMM, DDR266, 128MB up to 1GB	
	OS Support Windows® XP / XPe, WEPOS, WinCE*, Linux*	
Display	TFT LCD Size	12" / 15"
	Brightness	350 nits / 350 nits
	Resolution	1024 x 768 / 1024 x 768
	Touch Screen	7-wire Resistive Type
	Tilt Angle	0° to 90°
	Swivel Angle	-20° to 20°
Storage Device	HDD	1 x 3.5" HDD Drive Bay
	Compact Flash	1 x Slot Compact Flash Type II
I/O Ports	Serial	6 x RS-232, COM 1/ 2/ 3/ 4: DB-9, Pin1 w/ DCD or 5V or 12V Selectable, Pin 9 w/ RI or 5V or 12V Selectable COM 5/ 6: Internal for Touch Panel and MSR
	Parallel	1 x DB-25
	USB	2 x USB 2.0 1 x USB 2.0 w/ 12V, 1 x USB2.0 w/ 24V 2 x Internal USB2.0 (On board pin header)
	PS/2 Keyboard	1 x 6-pin mini DIN
	LAN	1 x RJ-45, 10/100 Base-T, supports wake on LAN
	VGA	1 x DB-15 (For EBN 2nd display only)
	Cash Drawer	2 x RJ-11 (Power Pin 12/24V Selectable)
	Audio	Audio AC' 97 2.0 Compliant, 2W Speaker x 2
	Expansion	1 x Mini PCI
	Power Input	External adapter, 220W, ATX w/ 100 - 240 VAC input
Color	Black	
Material	Plastic	
EMC& Safety Compliance	FCC / CE / WEEE / RoHS	
Others	Weight	12 Kgs / 12.5 Kgs
	Dimension(W)	313W x 318D x 332H(mm) / 370W x 335D x 367H(mm)
	Operating Temperature	5 °C ~ 40 °C
	Storage Temperature	5 °C ~ 40 °C
	Humidity	20% - 85% RH, non-condensing

* Please contact supplier for detail information.

SolidPOS 715



Ordering information

Main Unit

Part No.	Description
POS70-2EB-370	SolidPOS 72 w/ 12.1" TFT LCD, Intel® Pentium® III Socket 370 CPU
POS70-2EB-478	SolidPOS 72 w/ 12.1" TFT LCD, Intel® Pentium® IV Socket 478 CPU
POS70-5EB-370	SolidPOS 75 w/ 15" TFT LCD, Intel® Pentium® III Socket 370 CPU
POS70-5EB-478	SolidPOS 75 w/ 15" TFT LCD, Intel® Pentium® IV Socket 478 CPU

Optional Accessories

Part No.	Description
A0400024	MSR: 3 Tracks, RS-232 Type
A0400023	MSR: 2 Tracks, RS232 Type
A0400009	MSR: 3 Tracks, PS/2 Type
A0400010	MSR: 2 Tracks, PS/2 Type
A0400019	iButton, PS/2 Type
A0400120	iButton & MSR: 3 Tracks, PS/2 Type
A0400121	iButton & MSR: 2 Tracks, PS/2 Type
A0400302	Smart card reader, USB Type
A0400104	Smart card reader, USB & MSR: 3 Tracks, RS-232 Type
A0400005	13.56MHZ RFID reader module (Read S/N only)
A0400107	2nd display, 15", w/ Touch
A0400062	2nd display, 12", w/ Touch
A0400004	2nd display, 15", w/ o Touch
A0400022	2nd display, 12", w/ o Touch
A0400671	2nd display, 15" w/ Speakers, w/ o Touch
A0400264	Customer display: LCD pole, 30 columns x 4 lines, RS-232 Type
A0400265	Customer display: VFD pole, 20 columns x 2 lines, RS-232 Type
A0400266	Wireless LAN 802.11g WIFI module & Antenna
20900001	OS License: Windows XP Professional, English Version
20900002	OS License: WEPOS, English Version
20200006	HDD: 3.5" 80GB
20600001	Compact Flash: 128MB
20600002	Compact Flash: 256MB

Part No. Description

20600018	Compact Flash: 512MB
20600005	Compact Flash: 1GB
20600023	Compact Flash: 2GB
20600024	Compact Flash: 4GB
20600033	Compact Flash: 8GB
20300004	Memory: DDR333, 1GB, 184Pin SDRAM, non-ECC
20300003	Memory: DDR333, 512MB, 184Pin SDRAM, non-ECC
20300002	Memory: DDR333, 256MB, 184Pin SDRAM, non-ECC
20300001	Memory: DDR333, 128MB, 184Pin SDRAM, non-ECC
20100019	P4 CPU : Intel Celeron 2.5GHz, FSB/400MHz
20100013	P4 CPU : Intel Mobile Celeron 1.2GHz, FSB/400MHz
20100011	P4 CPU : Intel Pentium 2.0GHz, FSB/400MHz
20100008	P4 CPU : Intel Celeron 2.0GHz, FSB/400MHz
20100001	P3 CPU : Intel Celeron 1.2GHz, FSB/133MHz
20100002	P3 CPU : Intel Pentium 1.26GHz, FSB/133MHz
20100015	P3 CPU : Intel Celeron 1.3GHz, FSB/133MHz

Specifications are subject to change without notice. Issue Date: 2009/05

EBN

EBN Technology Corp.

EBN Technology Corp.

10F, No. 90, Sec. 1, Sintai 5th Rd., Sijhih City,
Taipei County 221, Taiwan
TEL : +886-2-2696 9292
FAX : +886-2-2696 9393
E-mail : sales@ebn-pos.com
www.ebn-pos.com