

# Widescreen Fanless Touch Panel PC

SmartPPC 715 is a revolutionary model featuring EBN's exclusive "Smart Battery" technology and fanless thermal solution.

## SmartPPC 715



Camera

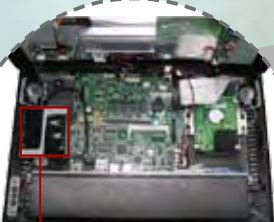


15.4" Widescreen Panel  
& Camera Function

60mm



Ultra-slim & Robust Chassis



Smart Battery

Smart Battery Backup

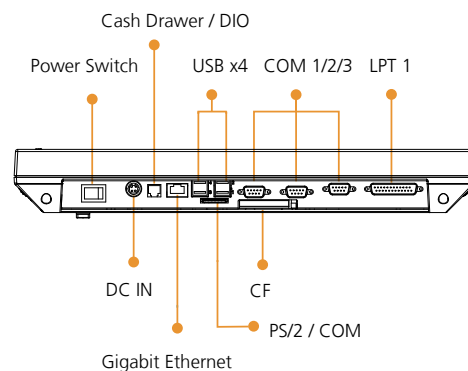
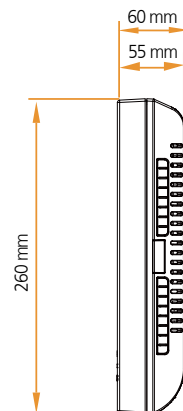
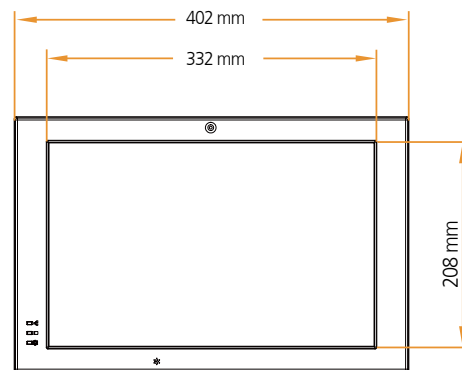


Be nice for our earth. It was printed with soy ink

## Specifications

<b>Model Name</b>	SmartPPC 715	
<b>Main Board</b>	CPU	Intel® Ultra Low Voltage Celeron® M 1GHz w/o L2 cache Intel® Celeron® M 1.5GHz w/ 1MB L2 cache
	Core Logic	Intel® 852GM + ICH4
	System Memory	SO-DIMM DDR266, 128MB up to 1GB
	OS Support	Windows® XP / XPe, WEPOS, WinCE*, Linux*
	<b>Display</b>	TFT LCD Size
	Brightness	200 nits
	Resolution	1280 x 800
	Touch Screen	5-wire Resistive Type
<b>Storage Device</b>	HDD	1 x 2.5" HDD Drive Bay
	Compact Flash	1 x Slot Compact Flash Type II
<b>I/O Ports</b>	Serial	6 x RS-232 COM1/2/3: DB-9, Pin9 w/ RI/5V/12V Selectable by BIOS COM4: Internal Pin Header for MSR COM5: 15-Pin Header or DB9 COM6: Internal for Touch Panel
	Parallel	1 x DB25 ECP/EPP/SPP
	USB	4 x USB 2.0
	PS/2	15-Pin Header or DB9
	LAN	1 x Gigabit Ethernet by RJ-45
	Cash Drawer	1 x RJ-11 (Power Pin 12V)
	Audio	AC' 97 2.0 Compliant, 2W Speaker x 2, 1x build-in Micphone
	Expansion	1 x Mini PCI, optional wireless LAN module
	Camera	1.3M pixels, USB type web camera
	Wall Mount	Support VESA Mount
	Power Input	External Adapter, 135W, 19VDC input
UPS Power Backup(Optional)	Support Smart Battery 4P1S backup function	
Color	Black	
<b>Others</b>	Material	Die-casting aluminum
	Compliance	FCC / CE / WEEE / RoHS
	Weight (Kgs)	4.9 Kgs
	Dimension	332 W x 55 D x 208 H (mm)
	Operating Temperature	5°C ~ 35°C
	Storage Temperature	-20°C ~ 60°C
	Humidity	20% - 85% RH, non-condensing

\* Please contact supplier for detail information.



## Ordering information

### Main Unit

Part No.	Description
SPPC70-5B-C1G	Fanless SmartPPC715 w/ 15.4" Widescreen TFT LCD, Intel® ULV Celeron® M 1GHz w/o L2 Cache CPU
SPPC70-5B-C15G	Fanless SmartPPC715 w/ 15.4" Widescreen TFT LCD, Intel® Celeron® M 1.5GHz CPU

Part No.	Description
20300007	Memory: DDR400, 512MB, 200Pin SO-DIMM, non-ECC
20300019	Memory: DDR400, 1GB, 200Pin SO-DIMM, non-ECC
20900001	OS License: Windows XP Professional, English Version
20900002	OS License: WEPOS, English Version

### Optional Accessories

Part No.	Description
A0400745	MSR: 3 Tracks PS/2 Type
A0400746	MSR: 2 Tracks PS/2 Type
21300004	Battery :14.4V, 2400mA, 4P1S Cell
20200020	2.5" Slim Type HD: 80GB
A0400614	Wireless LAN 802.11 WIFI module Antenna
20600001	Compact Flash: 128MB
20600002	Compact Flash: 256MB
20600018	Compact Flash: 512MB
20600005	Compact Flash: 1GB
20600023	Compact Flash: 2GB
20600024	Compact Flash: 4GB
20600033	Compact Flash: 8GB
20300005	Memory: DDR400, 128MB, 200Pin SO-DIMM, non-ECC
20300006	Memory: DDR400, 256MB, 200Pin SO-DIMM, non-ECC

Specifications are subject to change without notice. Issue Date: 2009/05

**EBN**  
EBN Technology Corp.

### EBN Technology Corp.

10F, No. 90, Sec. 1, Sintai 5th Rd., Sijhih City,  
Taipei County 221, Taiwan  
TEL : +886-2-2696 9292  
FAX : +886-2-2696 9393  
E-mail : sales@ebn-pos.com  
www.ebn-pos.com