

Handheld Device Empower Mobile Work Force

Handheld data collection terminal with scanner, WiFi ,MSR delivers high efficiency and creates convenient working environment.

MobiPOS 508



USB



Barcode Scanner



Smart Card Reader

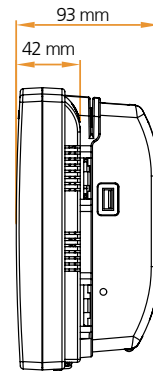
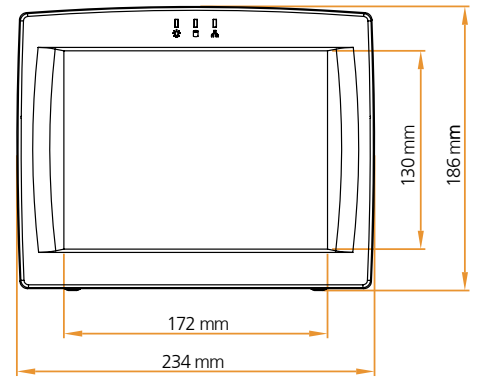


MSR

Specifications

Model Name	MobiPOS 508	
Main Board	CPU	AMD® Geode™ LX-800 (500MHz)
	Core Logic	AMD® Geode™ LX-800 + CS5536
	System Memory	SO-DIMM, DDR400, 128MB, up to 1GB
	OS Support	Windows® XP / XPe, WEPOS, WinCE*, Linux*
Display	TFT LCD Size	8.4"
	Brightness	220 nits
	Resolution	800x600
	Touch Screen	5-wire Resistive Type
Storage Device	DOM	1 x 2.0mm 44pin
	Compact Flash	1 x Slot Compact Flash Type II
I/O Ports	USB	1 x USB 2.0
	Audio	Audio AC' 97 2.0 Compliant, 2W Speaker x 2
Others	Battery	Lithium Rechargeable 11.1V / 2400mA
	Recharge Cradle	Ship with Recharge Cradle
	Black Belt	Black Plastic Belt for MobiPOS
	Power Input	External adapter, 50W, 14VDC input
	Color	Black
	Compliance	FCC / CE / WEEE / RoHS
	Weight	1.4 kgs
	Dimension	234W x 186H x 93D (mm)
	Operating Temperature	5°C ~ 40°C
	Storage Temperature	-20°C ~ 60°C
Humidity	20% - 85% RH, non-condensing	

* Please contact supplier for detail information.



Ordering information

Main Unit

Part No.	Description
MPOS50A-8B-LX800	Fanless MobiPOS508 w/ 8.4" TFT LCD, AMD® LX800 CPU

Optional Accessories

Part No.	Description
20400008	MSR: 3 Tracks, RS-232 Type
20400011	MSR: 3 Tracks, PS/2 Type
A0400198	Smart card reader, USB Type
A0400197	Single line barcode scanner, RS-232 Type
20900001	OS License: Windows XP Professional, English Version
20900002	OS License: WEPOS, English Version
20600001	Compact Flash: 128MB
20600002	Compact Flash: 256MB
20600018	Compact Flash: 512MB
20600005	Compact Flash: 1GB
20600023	Compact Flash: 2GB
20600024	Compact Flash: 4GB
20600033	Compact Flash: 8GB
20300005	Memory: DDR400, 128MB, 200Pin SO-DIMM, non-ECC
20300006	Memory: DDR400, 256MB, 200Pin SO-DIMM, non-ECC
20300007	Memory: DDR400, 512MB, 200Pin SO-DIMM, non-ECC
20300019	Memory: DDR400, 1GB, 200Pin SO-DIMM, non-ECC
60900002	Wireless 802.11b/g USB Type, Support WinCE
60900003	Wireless 802.11b/g USB Type, Not support WinCE

Specifications are subject to change without notice. Issue Date: 2009/05

EBN
EBN Technology Corp.

EBN Technology Corp.

10F, No. 90, Sec. 1, Sintai 5th Rd., Sijhih City,
Taipei County 221, Taiwan
TEL : +886-2-2696 9292
FAX : +886-2-2696 9393
E-mail : sales@ebn-pos.com
www.ebn-pos.com