

Dynamic Fanless Touch Panel PC

Value-oriented and ultra-compact Panel PC with Intel® fanless thermal technology for the space-limited space applications.

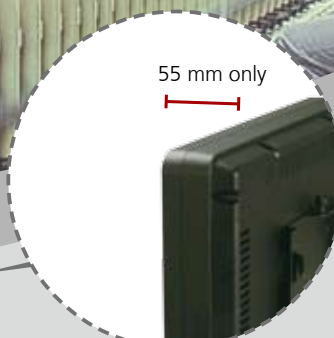
EZPPC 712



Wireless LAN Support



Pole ARM Movable
with VESA Standard



55 mm only

Ultra Compact Size for
Smart Space Management

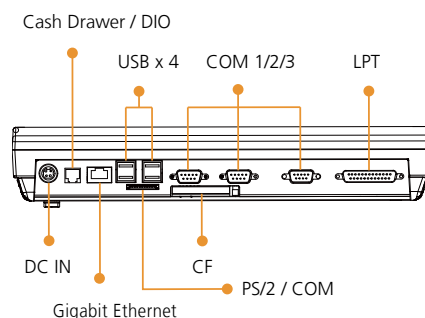
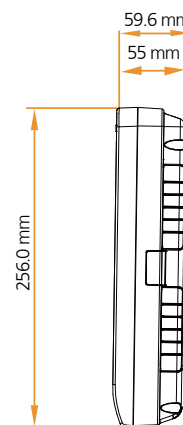
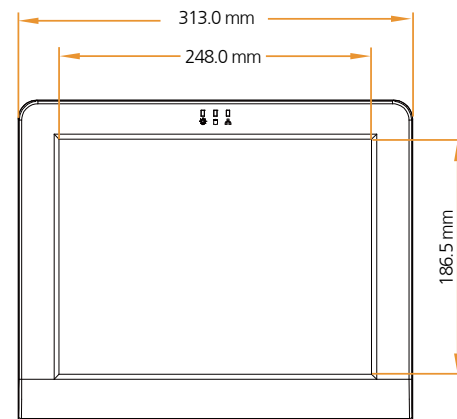


Support VESA Mounting

Specifications

Model Name	EZPPC 712	
Main Board	CPU	Intel® Ultra Low Voltage Celeron® M 1GHz w/o L2 Cache
	Core Logic	Intel® 852GM + ICH4
	System Memory	SO-DIMM DDR 266, 128MB up to 1GB
	OS Support	Windows® XP / XPe, WEPOS, WinCE*, Linux*
Display	TFT LCD Size	12.1
	Brightness	200 nits
	Resolution	800 x 600
	Touch Screen	5-wire Resistive Type
Storage Device	HDD	1 x 2.5" HDD Drive Bay
	Compact Flash	1 x Slot Compact Flash Type II
I/O Ports	Serial	6 x RS-232 COM 1/2/3: DB-9, Pin9 w/ RI/5V/12V Selectable by BIOS COM 4: Internal for MSR COM 5: 15-Pin Header or DB9 COM 6: Internal for Touch Panel
	Parallel	1 x DB25 ECP/EPP/SPP
	USB	4 x USB 2.0
	LAN	1 x Gigabit Ethernet by RJ-45
	Cash Drawer	1 x RJ-11 (Power Pin 12V)
	Audio	AC' 97 2.0 Compliant, 2W Speaker x 2
	Expansion	1 x Mini PCI, optional wireless LAN module
	Wall Mount	Support VESA Mount
	Power Input	External adapter, 135W, 19VDC input
	Color	Black
Others	Material	Plastics and die-casting aluminum
	Compliance	FCC / CE / WEEE / RoHS
	Weight	3.78 Kgs
	Dimension	313 W x 55D x 256H (mm)
	Operating Temperature	5°C ~ 40°C
	Storage Temperature	-20°C ~ 60°C
	Humidity	20% - 85% RH, non-condensing

* Please contact supplier for detail information.



Ordering information

Main Unit

Part No.	Description
EZPPC70-2B-C1G	Fanless EZPPC712 w/ 12.1" TFT LCD, Intel® Celeron® M 1G w/o L2 Cache CPU

Optional Accessories

Part No.	Description
A0400749	MSR, 3 Tracks PS/2 Type
A0400750	MSR, 2 Tracks PS/2 Type
20200020	HDD: 2.5", 80GB
A0400614	Wireless LAN 802.11 WIFI module antenna
20600001	Compact Flash: 128MB
20600002	Compact Flash: 256MB
20600018	Compact Flash: 512MB
20600005	Compact Flash: 1GB
20600023	Compact Flash: 2GB
20600024	Compact Flash: 4GB
20600033	Compact Flash: 8GB
20300005	Memory: DDR400, 128MB, 200Pin SO-DIMM, non-ECC
20300006	Memory: DDR400, 256MB, 200Pin SO-DIMM, non-ECC
20300007	Memory: DDR400, 512MB, 200Pin SO-DIMM, non-ECC
20300019	Memory: DDR400, 1GB, 200Pin SO-DIMM, non-ECC
20900001	OS License: Windows XP Professional, English Version
20900002	OS License: WEPOS, English Version

Specifications are subject to change without notice. Issue Date: 2009/05

EBN
EBN Technology Corp.

EBN Technology Corp.

10F, No. 90, Sec. 1, Sintai 5th Rd., Sijhih City,
Taipei County 221, Taiwan
TEL : +886-2-2696 9292
FAX : +886-2-2696 9393
E-mail : sales@ebn-pos.com
www.ebn-pos.com